



FIRESTOP CENTRE

Authorised New Zealand Distributor
Ph (09) 483 4000 www.firestopcentre.co.nz

AGNI-Wrap in 120mm Concrete Floor/Ceiling 40mm Floor Waste & Socket FRR -/240/240

Step-by-step installation instructions:

1. Ensure the aperture is clean.
2. Install one layer of AGNI-Wrap 25 with 30mm overlap around the pipe, recessed into the annular space.
3. Tightly wrap another two layers of AGNI-Wrap 25 around the pipe, ensuring a minimum overlap of 30mm.
4. Fasten AGNI-Wrap 25 with one AGNI-Strap approximately in the middle of the wrap.
5. Secure AGNI-Wrap 25 to the concrete floor using two AGNI-Clips, fixing each clip with a screw.

Note: Tested with 100mm square floor waste tile with sanitary system plain bend F&F



System ID# FC860

Technical Information

Substrate	Min 120mm concrete floor slab
Service type	DN 40mm PVC-U pipe floor waste configuration
Annular gap	Min: 9mm; Max: 10mm
AGNI-Wrap layers	1 - Inside the aperture, 2- outside the aperture
AGNI-Clips	2
AGNI-Products	AGNI-Wrap, AGNI-Clips, AGNI-Straps
Protection installation	Asymmetrical

Compliance Information

Standards	AS1530.4-2014, AS4072.1-2005
FRR/FRL	-/240/240
Reference	RIRF23097 (AP-016)



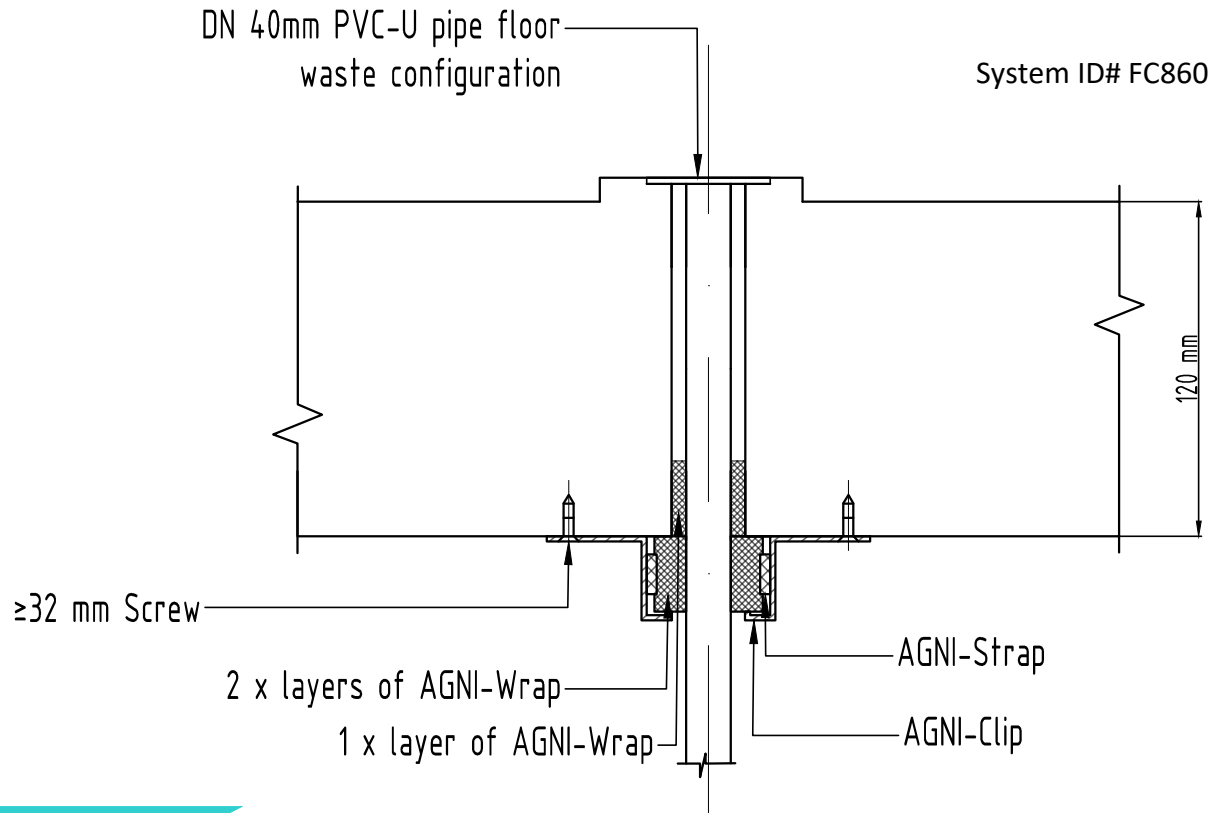
Agnitek[®]
FIRE RATED TECHNOLOGY

8 Clare St Bayswater
VIC 3153, AUSTRALIA
www.agnitek.com.au

Disclaimer

Agnitek reserves the right to modify product specifications without prior notice due to its ongoing research, development & certification programme. The information in this document is provided in good faith and is intended for guidance purposes only. Any accompanying drawings are solely for illustrative purposes. Since Agnitek cannot oversee installation methods or ensure site conditions, no warranties, expressed or implied, are intended regarding the products' actual performance. We do not accept liability for any loss, damage, or injury from using this information. Please take a look at the test reports displayed on a relevant AGNI-System webpage for all compliance specifics.

Date | 26.03.2024



Technical Information

Substrate	Min 120mm concrete floor slab
Service type	DN 40mm PVC-U pipe floor waste configuration
Annular gap	Min: 9mm; Max: 10mm
AGNI-Wrap layers	1 - Inside the aperture, 2- outside the aperture
AGNI-Clips	2
AGNI-Products	AGNI-Wrap 25, AGNI-Clips, AGNI-Straps
Protection installation	Asymmetrical

Compliance Information

Standards	AS1530.4-2014, AS4072.1-2005
FRR/FRL	-/240/240
Reference	RIRF23097 (AP-016)



Agnitek[®]
FIRE RATED TECHNOLOGY

8 Clare St Bayswater
VIC 3153, AUSTRALIA
www.agnitek.com.au

Disclaimer

Agnitek reserves the right to modify product specifications without prior notice due to its ongoing research, development & certification programme. The information in this document is provided in good faith and is intended for guidance purposes only. Any accompanying drawings are solely for illustrative purposes. Since Agnitek cannot oversee installation methods or ensure site conditions, no warranties, expressed or implied, are intended regarding the products' actual performance. We do not accept liability for any loss, damage, or injury from using this information. Please take a look at the test reports displayed on a relevant AGNI-System webpage for all compliance specifics.

Date 26.03.2024